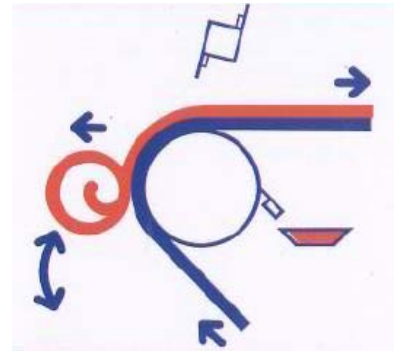




MATEX
The Evolution of Coating Machines



Gruppo di spalmatura con cilindro microforato
COATING GROUP WITH SCREEN CYLINDER



Roller width up to 3400 mm

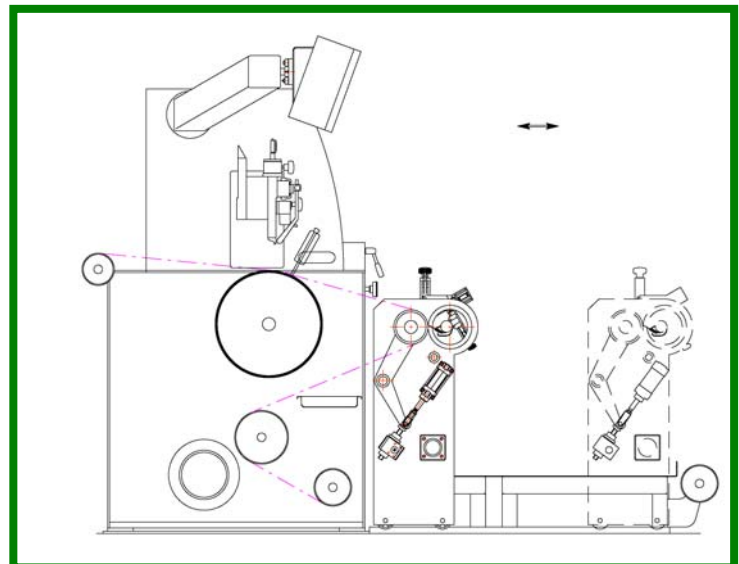
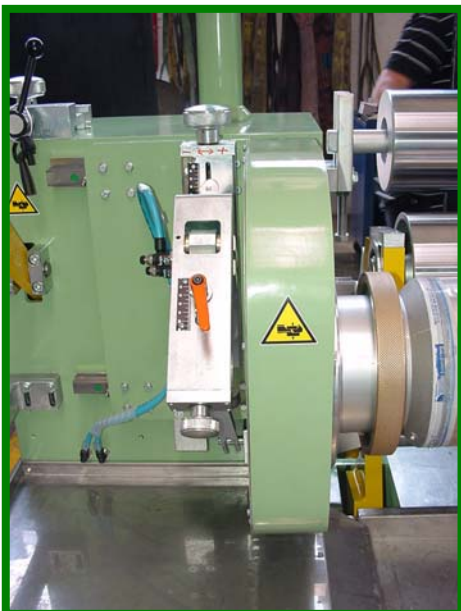
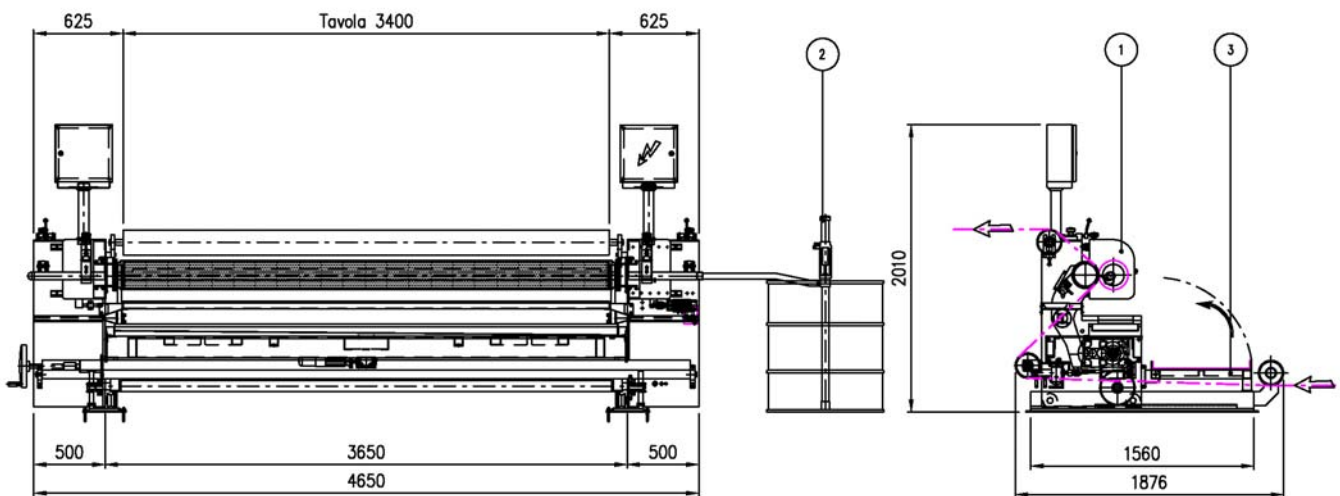
MATEX s.r.l.
Via E. Mattei, 1/3 - 36040 BRENDOLA (Vicenza) - ITALY
Tel.: +39-0444-400366 - Fax: +39-0444-400992
Email: info@matex.it - WebSite: www.matex.it
Cap. Soc. € 100.000,00 i.v. - P.IVA 00280260241 - Reg.Imprese Vicenza 00280260241

Gruppo di spalmatura con cilindro microforato **COATING GROUP WITH SCREEN CYLINDER**

It is an additional device for textile industry which can be installed in front of an existing coating head. Roller Width: up to 3400 mm

Easy to install and quick to displace when not in use.

It can improve your technology for the best performances at your coating range.



Compatibile con gli attacchi standard dei cilindri microforati

Compatible with standard screen cylinders rings

Facilmente spostabile in posizione di parcheggio
Easy displacing in parking position

MATEX s.r.l.

Via E. Mattei, 1/3 - 36040 BRENDOLO (Vicenza) – ITALY

Tel.: +39-0444-400366 – Fax: +39-0444-400992

Email: info@matex.it – WebSite: www.matex.it

Cap. Soc. € 100.000,00 i.v. - P.IVA 00280260241 – Reg.Imprese Vicenza 00280260241